

WAGON TYPE Sggrs 80'

6-AXLE ARTICULATED WAGON



EUROWAGON

General information

This car of the type Sggrs is used for the transportation of containers. This cars have three, 2-axle bogies. The flat cars are suitable for ISO 20', 30' and 40' long containers.



Technical specification

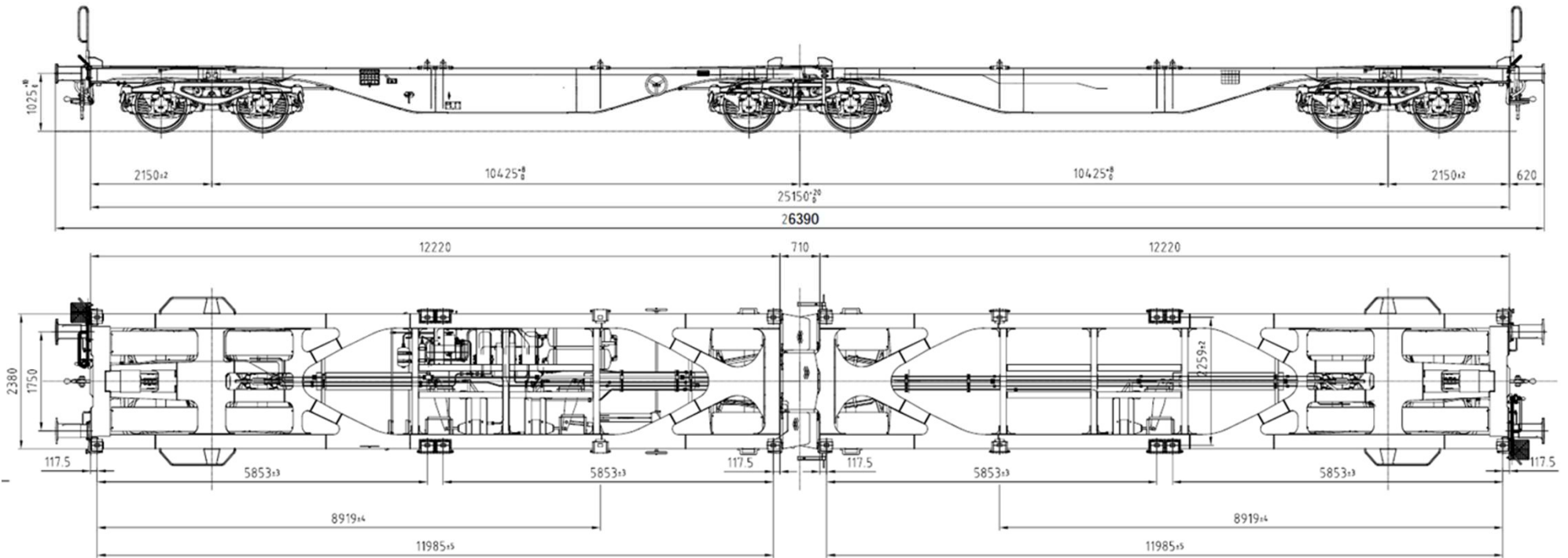
Track Gauge	1 435 mm	Length over buffers	26 390 mm
Tare	27,5 t +/- 2%	Loading length	2 x 12 220 mm
Maximal weight of loaded wagon	135 t	Distance between bogie pivots	2 x 10 425 mm
Maximal loading weight	107,5 t	Height of loading plane for containers and swap bodies above top of rail	1 155
Max. axle load	22,5 t	Max. operational speed at 22,5 t axle load	100 km/h
Height of buffer axis above top of rail	1 025 mm	Type of bogie	3 x Y25 Ls(s), 3x Y25Ls1-K

Payload table

	A	B	C	D
S	68,5	80,5	95,5	107,5
120	68,5	80,5	92,5	92,5

WAGON TYPE Sggrs 80'

6-AXLE ARTICULATED WAGON



www.euro-wagon.com | contact@euro-wagon.com

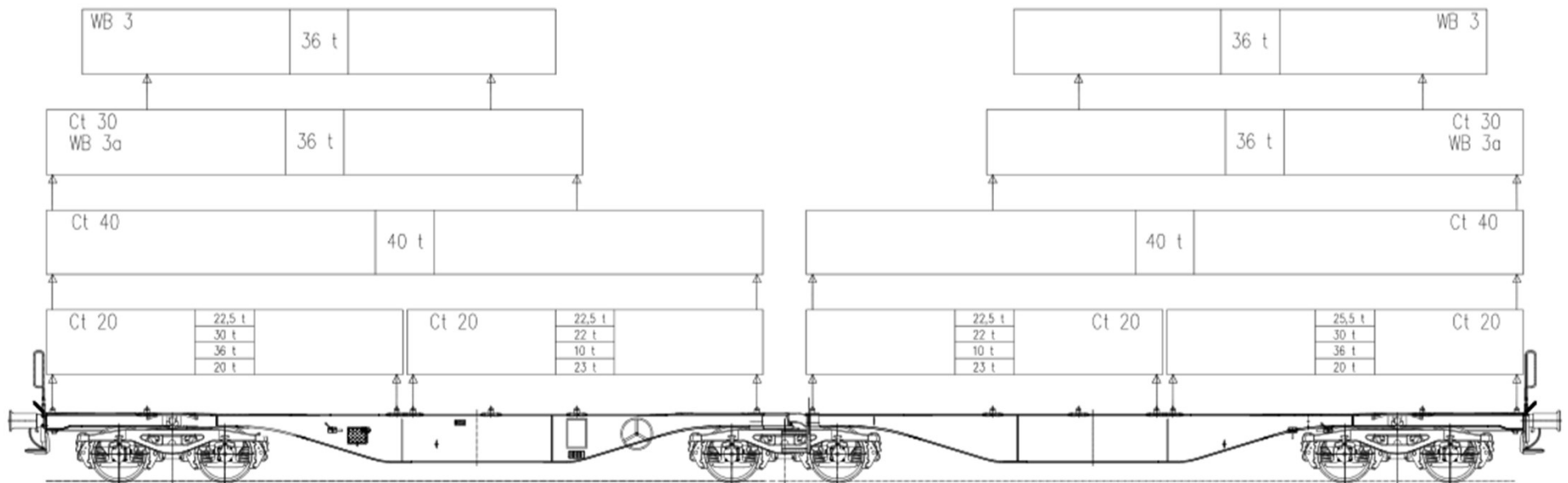
EUROWAGON sp. z o.o.



WAGON TYPE Sggrs 80'

6-AXLE ARTICULATED WAGON

Indicative Loading Scheme: for information only



www.euro-wagon.com | contact@euro-wagon.com

EUROWAGON sp. z o.o.